



PUMPWORKS, Inc.

LIQUID & GAS TRANSFER TECHNOLOGY

PW2000 Series

Model **PW2069**

High flow, UL-listed, single rate **gas** pump

FEATURES

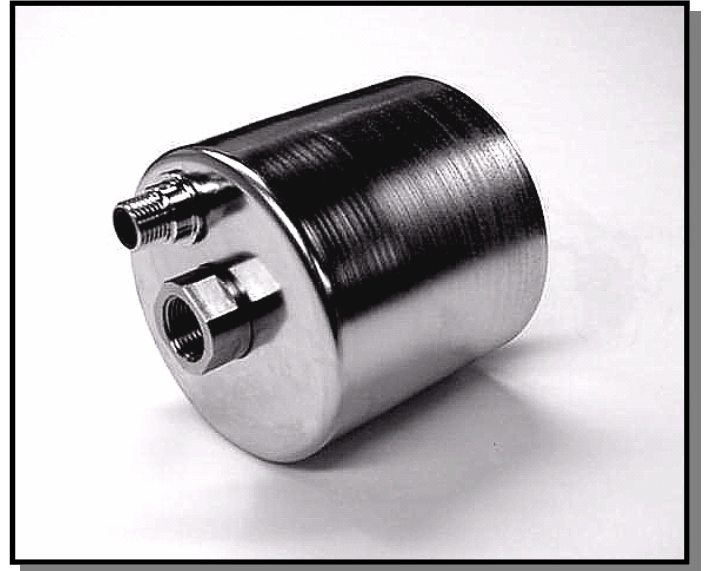
The PW2069 has single rate capability for low-cost, simple on-off operation.

For pumps with integral rate control capabilities, consult the PumpWorks, Inc. General Catalog for selection assistance within the full line of versatile dual solenoid pumps.

PW2000 Series Features

- Magnetically driven
- Leak-proof
- Pump & motor in one package
- Integral solid state circuit board for easy controllability and pump protection
- Compact for flexible installation
- Quiet (<60 db, depending on installation)
- Sealless and oilless
- Self priming
- Dead-head and run dry capable
- Integral overload protection

Custom pumps with expanded capabilities are available



SPECIFICATIONS

Performance

(all figures are maximums, tested on air @ room temperature)

Volume	0.14 cfm
Pressure	130 psig
Inlet Suction	25 in. Hg
Inlet and System Pressure	1400 psi
Particle Size	1/32"
Fluid Temperature	140 °F
Power Requirements (watts)	80 - 130

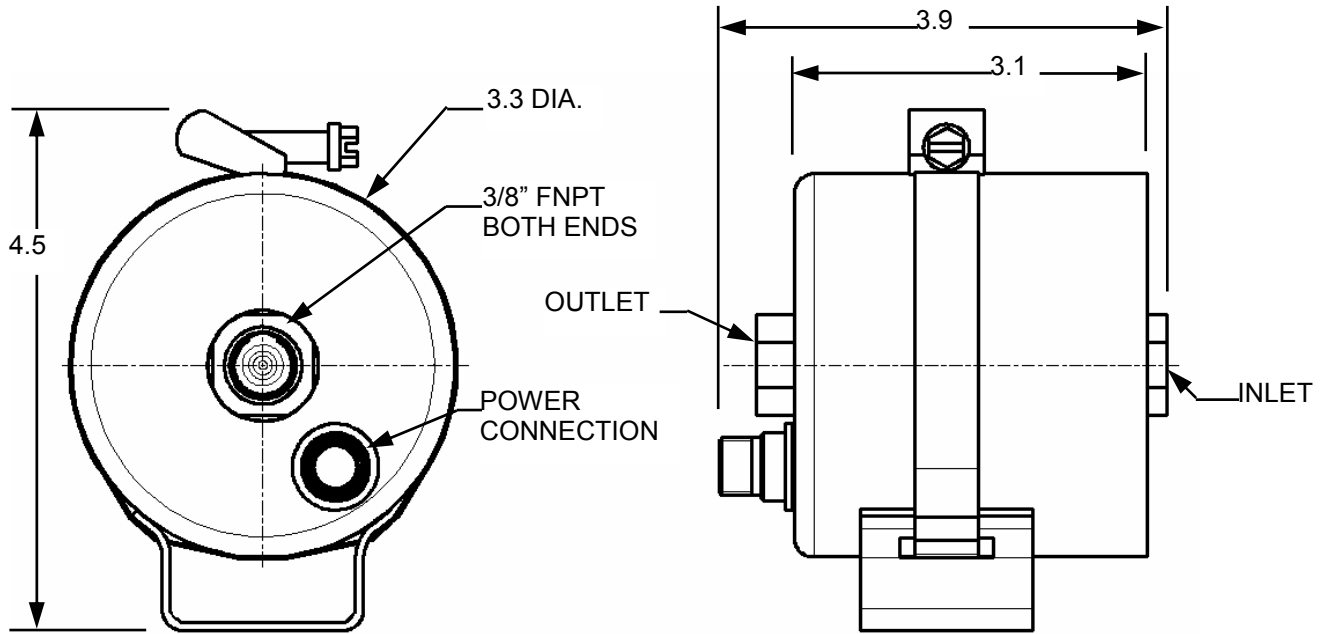
Other Specifications

Weight	4.8 lbs
Inlet and Discharge Port	3/8" FNPT
Voltage (60Hz, 1 Phase)	120V

Materials

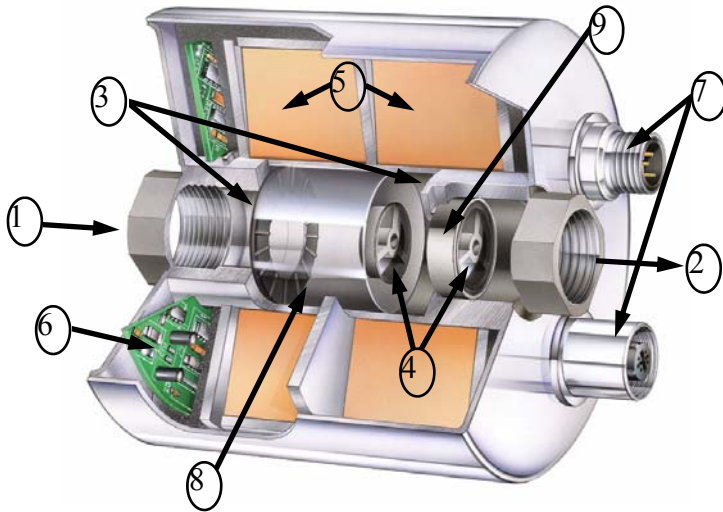
Piston Cylinder	316 Stainless Steel
Housing	316 Stainless Steel
Elastomer Option	Fluorel (Viton equiv.) EPDM, Neoprene
Piston	Coated 416 SS
Connections	Electroless Nickel Plated 416 SS

PW2069 DIMENSIONS



Note: All dimensions are in inches, pump shown with optional mounting kit installed

PW2000 SERIES CUTAWAY



- | | |
|-----------------|-----------------------|
| 1. Inlet | 6. Circuit Board |
| 2. Outlet | 7. Cordset Connectors |
| 3. Bumpers | 8. Piston |
| 4. Check Valves | 9. Insert |
| 5. Coils | |

Note: Cutaway is typical of PW2000 Series. Exact configurations vary slightly within series.

REPLACEMENT PARTS

Item #	Part #	Description	Qty
3	100024-100	Bumper (Fluorel)	2
3	100024-200	Bumper (Neoprene)	2
3	100024-300	Bumper (EPDM)	2
4	100025-100	Check Valve (Fluorel)	2
4	100025-200	Check Valve (Neoprene)	2
4	100025-300	Check Valve (EPDM)	2
9	100026-100	Insert, 3 hole	1
-	100029-100	Insert Retaining Ring	1
-	100030-100	Insert O-ring (Fluorel)	1
-	100030-200	Insert O-ring (Neoprene)	1
-	100030-300	Insert O-ring (EPDM)	1
-	20057	Elastomer Kit (Fluorel)	1
-	20058	Elastomer Kit (Neoprene)	1
-	20059	Elastomer Kit (EPDM)	1

PW2069-09/00



PUMPWORKS INC.
LIQUID & GAS TRANSFER TECHNOLOGY

2277-49th Avenue North
Minneapolis, MN 55430 USA

sales@pumpworks-inc.com
www.pumpworksinc.com



Distributed By:

Phone: 612-521-9331
Toll Free: 800-431-4408
Fax: 612-521-9397