



# PUMPWORKS, Inc.

LIQUID & GAS TRANSFER TECHNOLOGY

## PW2000 Series

Model

# PW2101

High flow, single rate **liquid** pump

### FEATURES

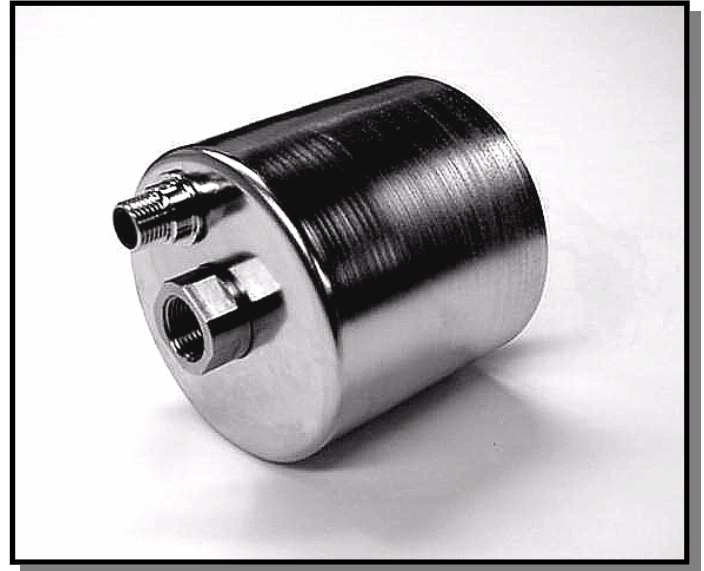
The PW2101 has single rate capability for low-cost, simple on-off operation.

For pumps with integral rate control capabilities, consult the PumpWorks, Inc. General Catalog for selection assistance within the full line of versatile dual solenoid pumps.

### PW2000 Series Features

- Magnetically driven
- Leak-proof
- Pump & motor in one package
- Integral solid state circuit board for easy controllability and pump protection
- Compact for flexible installation
- Quiet (<60 db)
- Sealless and oilless
- Self priming
- Dead-head and run dry capable
- Integral overload protection

Custom pumps with expanded capabilities are available



### SPECIFICATIONS

#### Performance

(all figures are maximums, tested on water @ room temperature)

Volume	46 gph
Pressure	75 psig
Inlet Suction	14 in. Hg
Inlet and System Pressure	1400 psi
Particle Size	1/32"
Fluid Temperature	140 °F
Power Requirements (watts)	80 - 130

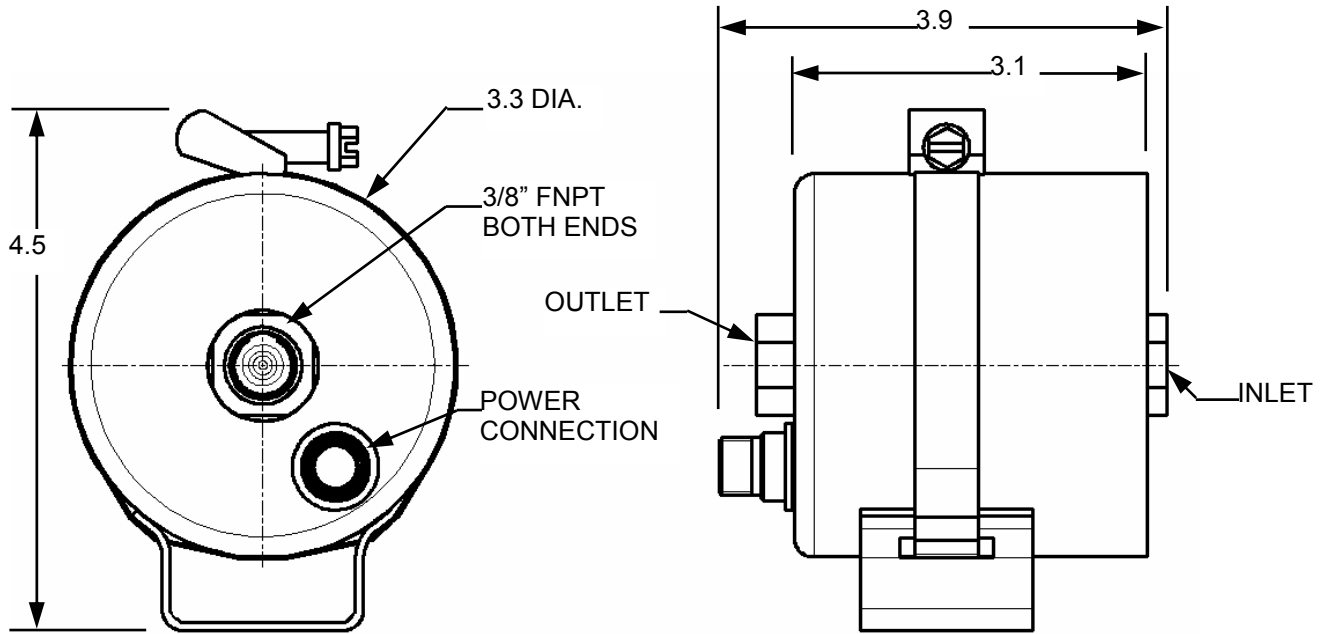
#### Other Specifications

Weight	4.8 lbs
Inlet and Discharge Port	3/8" FNPT
Voltage (60Hz, 1 Phase)	120V

#### Materials

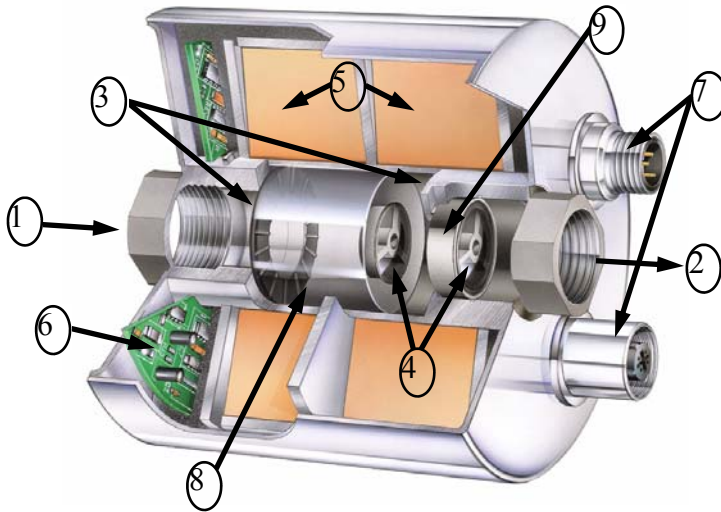
Piston Cylinder	316 Stainless Steel
Housing	316 Stainless Steel
Elastomer Option	Fluorel (Viton equiv.) EPDM, Neoprene
Piston	Coated 416 SS
Connections	Electroless Nickel Plated 416 SS

# PW2101 DIMENSIONS



Note: All dimensions are in inches, pump shown with optional mounting kit installed

## PW2000 SERIES CUTAWAY



- |                 |                       |
|-----------------|-----------------------|
| 1. Inlet        | 6. Circuit Board      |
| 2. Outlet       | 7. Cordset Connectors |
| 3. Bumpers      | 8. Piston             |
| 4. Check Valves | 9. Insert             |
| 5. Coils        |                       |

Note: Cutaway is typical of PW2000 Series. Exact configurations vary slightly within series.

## REPLACEMENT PARTS

Item #	Part #	Description	Qty
3	100024-100	Bumper (Fluorel)	2
3	100024-200	Bumper (Neoprene)	2
3	100024-300	Bumper (EPDM)	2
4	100025-100	Check Valve (Fluorel)	2
4	100025-200	Check Valve (Neoprene)	2
4	100025-300	Check Valve (EPDM)	2
9	100026-200	Insert, 2 spoke	1
-	100029-100	Insert Retaining Ring	1
-	100030-100	Insert O-ring (Fluorel)	1
-	100030-200	Insert O-ring (Neoprene)	1
-	100030-300	Insert O-ring (EPDM)	1
-	20057	Elastomer Kit (Fluorel)	1
-	20058	Elastomer Kit (Neoprene)	1
-	20059	Elastomer Kit (EPDM)	1

PW2101-09/00



**PUMPWORKS INC.**  
LIQUID & GAS TRANSFER TECHNOLOGY

2277-49th Avenue North  
Minneapolis, MN 55430 USA

[sales@pumpworks-inc.com](mailto:sales@pumpworks-inc.com)  
[www.pumpworksinc.com](http://www.pumpworksinc.com)



Phone: 612-521-9331  
Toll Free: 800-431-4408  
Fax: 612-521-9397

Distributed By: